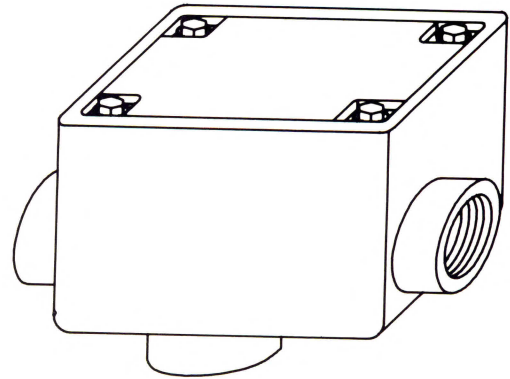


PULL & JUNCTION BOXES

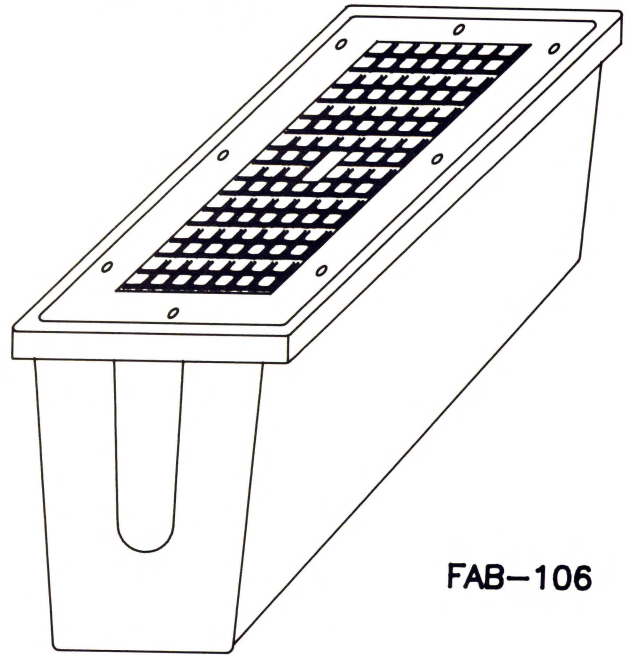
FAB-105 HEAVY DUTY PULLBOX: is an ASTM-B26 aluminum casting with three 1 1/4"-11 1/2" NPT threaded outlets, 7/16-14 non-magnetic stainless steel hardware, gasket and cast aluminum cover. The cover can be removed even after accumulation of road debris by screwing bolts into the cover and against the box. This unit complies with New York State DOT item # 08680.5111 and can be supplied with "N.Y.S. Traffic Signal" embossed on the cover.



FAB-105A

This box can be placed in the roadway and serves as a pull box for the traffic signal magnetic loop detector.

FAB-105S 1 1/4" STACKABLE EXTENSION: is available to accommodate changes in road height. The existing cover is removed and reinstalled over the extension. Additional custom extensions can also be provided.



FAB-106

FAB-106 JUNCTION BOX: is an ASTM B-26 aluminum casting with 1/4-20 stainless steel hardware, gasket and cast aluminum diamond pattern cover. Threaded conduit holes can be installed in sides or bottom when specified.

Part #	Description
FAB-105A	Heavy Duty Pull Box
FAB-105B	Heavy Duty Pull Box, N.Y.S.
FAB-105S	1 1/4" Stackable Extension
FAB-106	Junction Box



Flemington Aluminum & Brass™

24 JUNCTION ROAD
FLEMINGTON, NJ 08822

(908) 782-6317
FAX: (908) 782-8078