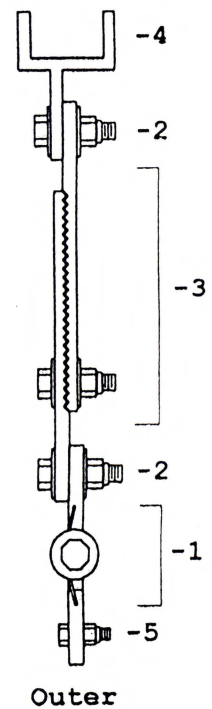
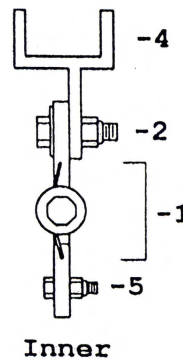
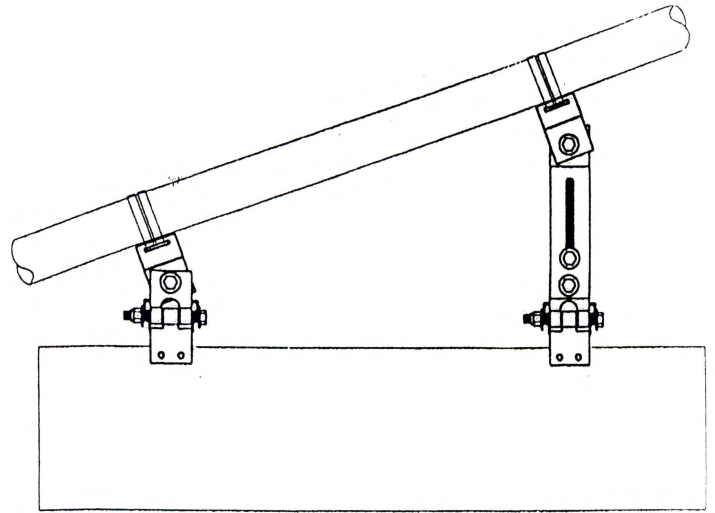


Jenny Sign Bracket

The Jenny Sign Bracket allows level mounting of traffic and street signs on Traffic Pole Mast Arms. The spring damper design limits additional wind loading to the Pole while keeping the sign visible during wind gusts. The bracket is adjustable to accommodate various angles and is constructed from aluminum alloy with stainless steel hardware. Each bracket assembly includes an inner (fixed) bracket, an outer (adjustable) bracket and sign connecting hardware. The brackets are attached using double stainless steel banding (not included). Two fixed or adjustable brackets may be used on horizontal arms. Additional brackets may be used on larger signs. Extensions are available if needed. The Inner Bracket converts to an Outer Bracket with the addition of the Adjustable Bar Assembly (-3).



Part Number	Description	lbs.
FAB-805	Jenny Sign Bracket	4.8
FAB-805-IBA	Inner (Fixed) Bracket	1.6
FAB-805-OBA	Outer (Adjustable) Bracket	3.2
FAB-805-1	Swivel Assembly (-1)	1.0
FAB-805-2	1/2" Connecting Hdw. (-2)	0.2
FAB-805-3	Adjustable Bar Assy. (-3)	0.9
FAB-805-4	Banded Pivot Bracket (-4)	0.5
FAB-805-5	Sign Hardware (x2) (-5)	0.1
FAB-805-6-6	6" Extension Bar	0.6
FAB-805-6-12	12" Extension Bar	1.2
FAB-805-6-18	18" Extension Bar	1.8



Flemington Aluminum & Brass, Inc.

24 Junction Road
Flemington, NJ 08822
908-782-6317

Fax 908-782-8078
www.fabonline.net
fab@embarqmail.com