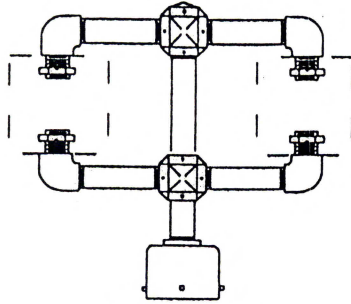


FRAMEWORK SIGNAL BRACKETS

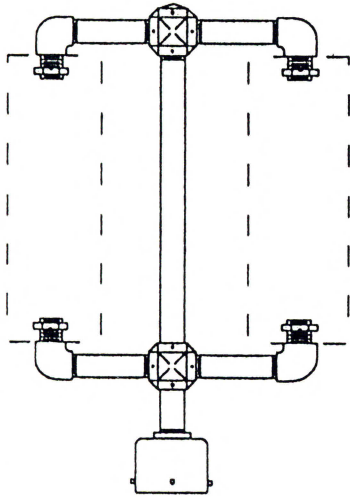


FAB-35A
(1) Signal

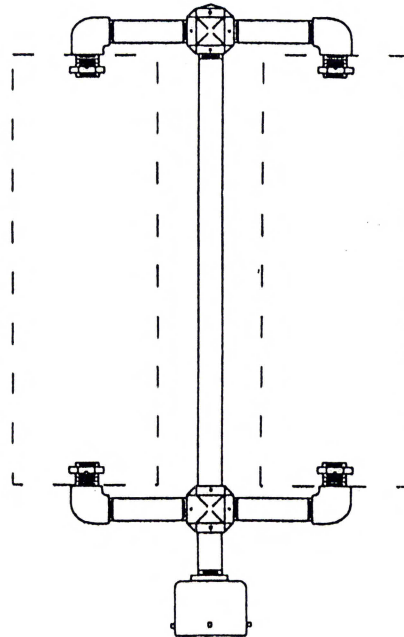


FAB-32-9
Walk/Don't Walk

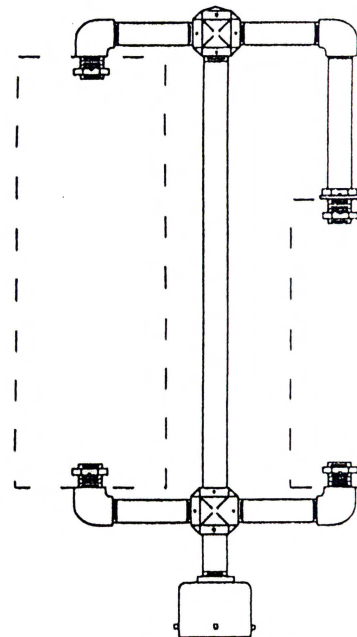
Framework brackets are constructed of 1 1/2" aluminum pipe and cast aluminum fittings. Elbows are serrated to prevent signals from rotating. Crosses have set screws installed at all outlets. Bottom arms slide up and down center pipe to adjust to signals.



FAB-32-8
(2) 8" Signals



FAB-32-12
(2) 12" Signals



FAB-32-812
8 & 12" Signals



Flemington Aluminum & Brass, Inc.

24 Junction Road
Flemington, NJ 08822
908-782-6317

Fax 908-782-8078
www.fabonline.net
fab@embarqmail.com